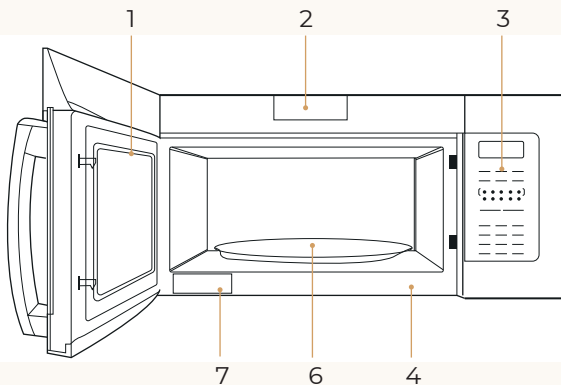


HOW TO USE THE MICROWAVE



JVM6172SKSS



1. Window with Metal Shield. Screen allows cooking to be viewed while keeping microwaves confined in the oven.
2. Charcoal Filter Door. Push down two button to open the door. You can change charcoal filter easily.
3. Touch Control Panel.
4. Cooktop Light.
5. Grease Filter.
6. Removable Turntable. Turntable and support must be in place when using the oven. The turntable may be removed for cleaning.
7. Rating Plate.

NOTE: Oven vent(s) and oven light are located on the inside walls of the microwave oven.

Operating the microwave:

1. Enter the desired cooking duration.
For example, to set the microwave cooking time of 2 minutes and 30 seconds, enter the numbers 2 3 0.
2. By pushing start, the microwave will start with a default power level of 10. To change the level, push Power Level and enter the desired number level when the display begins blinking.
3. Press START.